

# Peppermint Candy

LAP QUILT

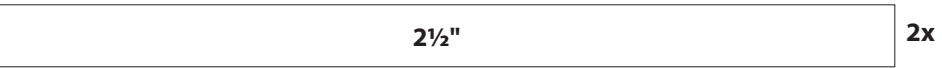


FINISHED SIZE  
42" x 52"

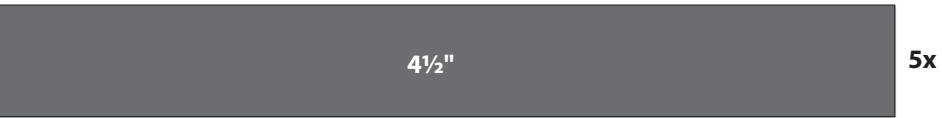
Krista Moser  
The Quilted Life

# CUTTING INSTRUCTIONS

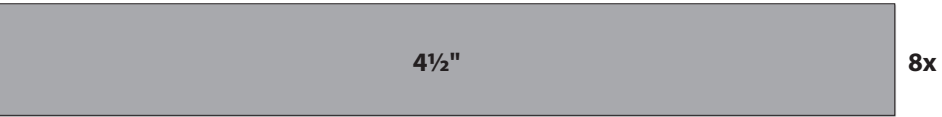
All fabric is cut (WOF 42") or selvage to selvage except the red and white stripe. See the illustration below for the way to cut the red and white stripe.



From white fabric cut: two 2½" strips and five 4½" strips.



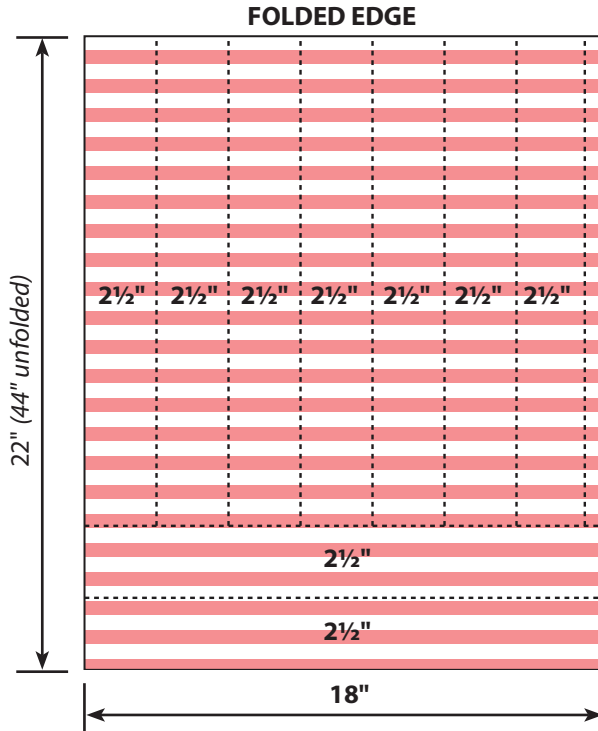
From dark gray fabric cut: five 4½" wide strips.



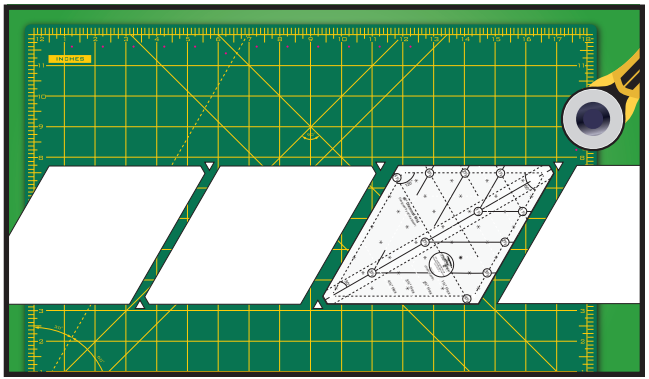
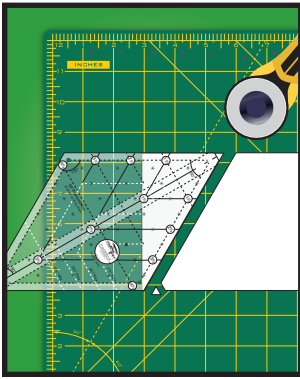
From light gray fabric cut: eight 4½" wide strips.

From red and white striped fabric, cut four 2½" x 18" strips parallel to the selvage with the stripe running the length of the strips. The illustration shows the fabric folded; cut through two layers to make a total of four strips.

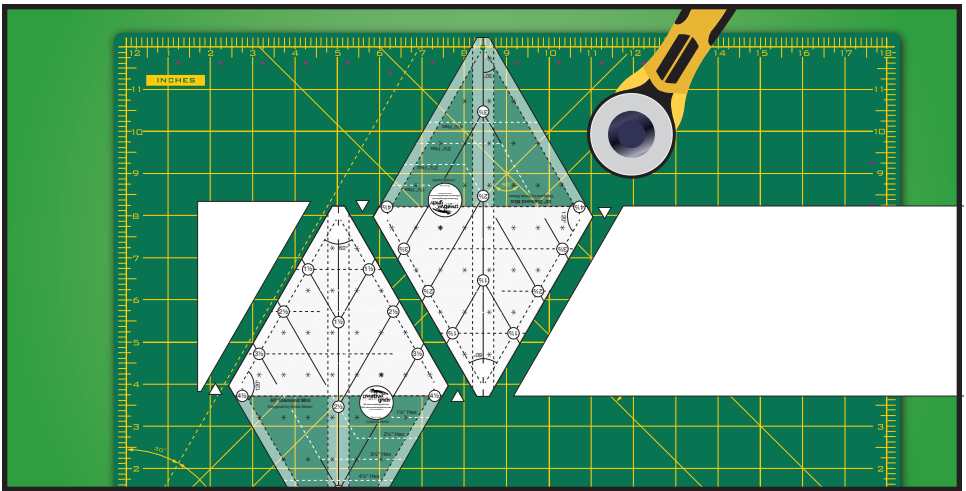
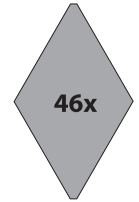
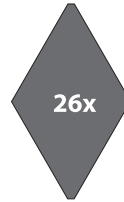
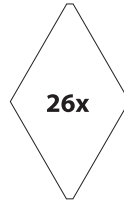
Cut the rest of the red and white stripe fabric into seven 2½" x 32" strips for binding.



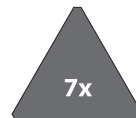
# CUTTING THE BACKGROUND



1. From four white  $4\frac{1}{2}$ " strips, cut twenty-six  $4\frac{1}{2}$ " diamonds. Open the strips to a single layer and press the crease out of the middle. Trim one end off at a  $60^\circ$  angle, then slide the ruler down the strip cutting  $4\frac{1}{2}$ " diamonds. Use the flat tips of the ruler to trim both tips off flat. Repeat this step with four  $4\frac{1}{2}$ " strips of dark gray and seven  $4\frac{1}{2}$ " strips of light gray. You will need twenty-six  $4\frac{1}{2}$ " diamonds in both white and dark gray. You will also need forty-six  $4\frac{1}{2}$ " diamonds in light gray.

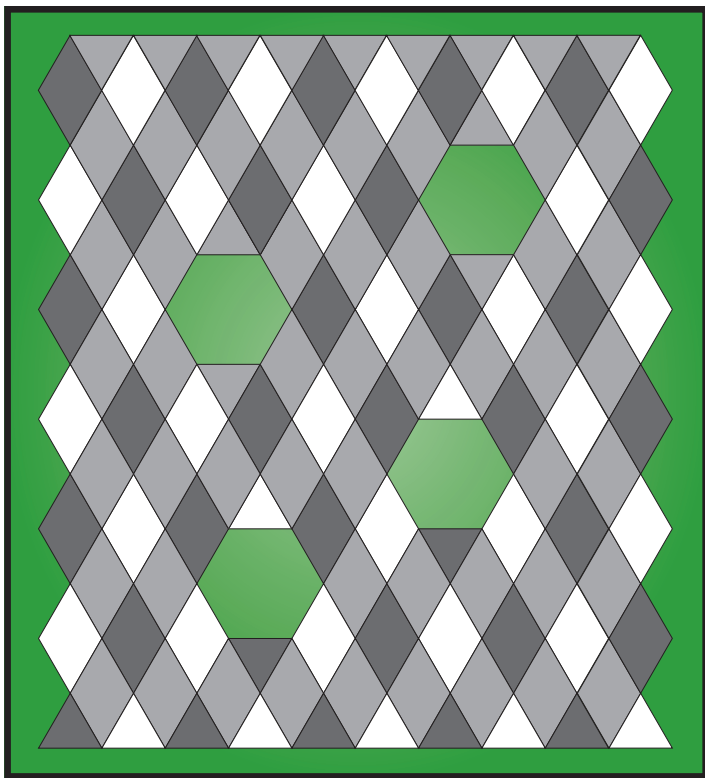


2. From the remaining  $4\frac{1}{2}$ " strip, of each color, cut  $4\frac{1}{2}$ " triangles. Using the triangle lines on the ruler, align the  $4\frac{1}{2}$ " dashed line with the bottom of the strip and the flat tip with the top of the strip. Cut on both sides of the ruler, then rotate the ruler  $180^\circ$  to make the next cut. Trim off the little points on the outside edges of the ruler so the triangles have three flat tips. You will need 7 white, 7 dark gray and 13 light gray triangles.

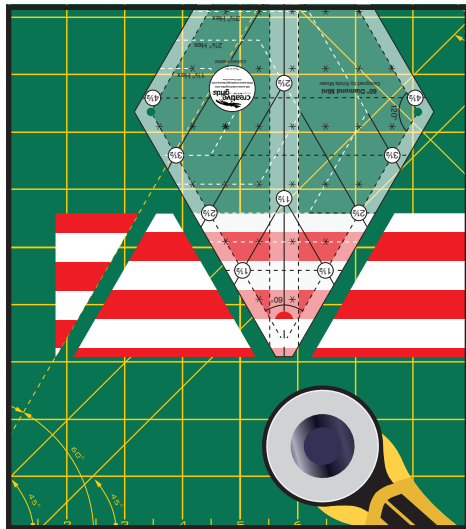
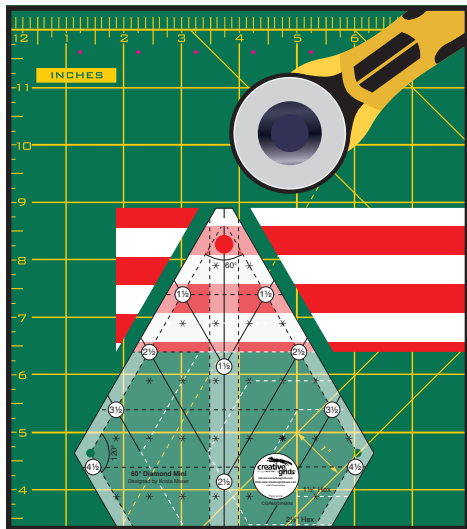




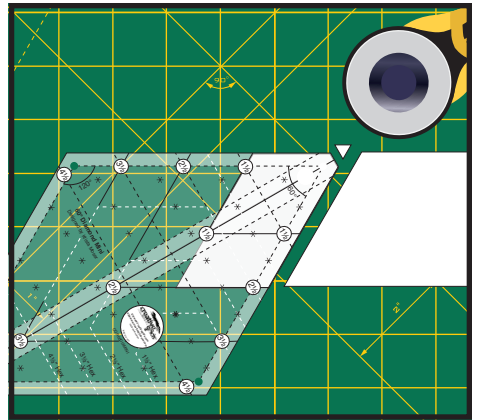
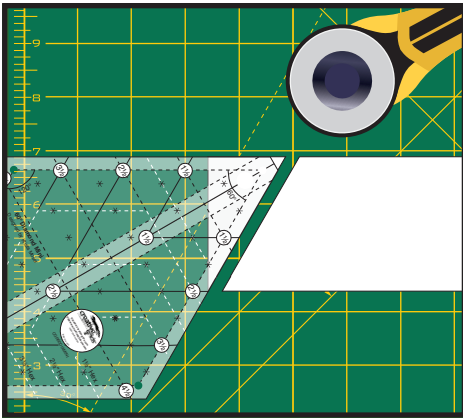
**3.** Lay out the background diamonds and triangles as shown, leaving the hexagon openings for the pinwheel blocks. Do not sew anything together at this point.



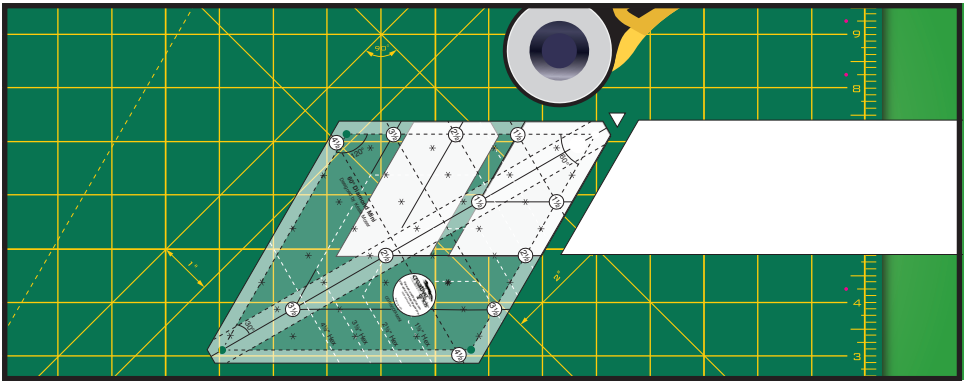
## MAKING THE PEPPERMINT BLOCK



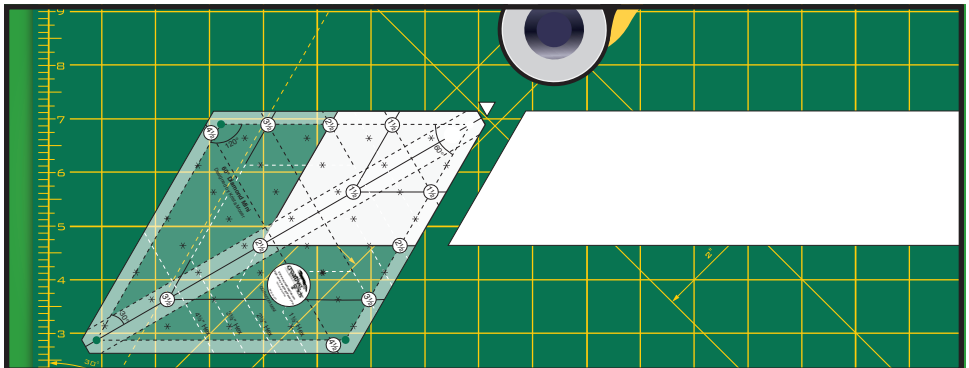
**4.** From the four  $2\frac{1}{2}$ " x 18" red and white striped fabric strips, cut thirty-two  $2\frac{1}{2}$ " triangles. Using the triangle lines on the ruler, align the  $2\frac{1}{2}$ " line with one edge of the strip and the flat tip with the other. Cut on both sides of the ruler, then rotate the ruler  $180^\circ$  to make the next cut.



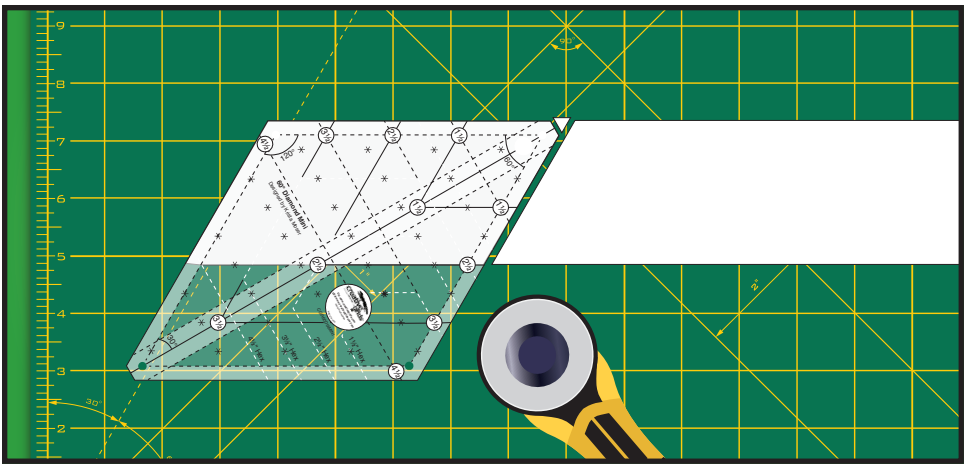
5. From the two  $2\frac{1}{2}$ " white background strips, keep these folded with right sides together and make the following cuts: Trim the selvage end off the strips at a  $60^\circ$  angle. Move the ruler down the strip until the cut edge lines up with the  $\frac{1}{2}$ " diamond line. Cut along the edge of the ruler, using the flat tip to remove the corner from the fabric (this will help with piecing accuracy later).



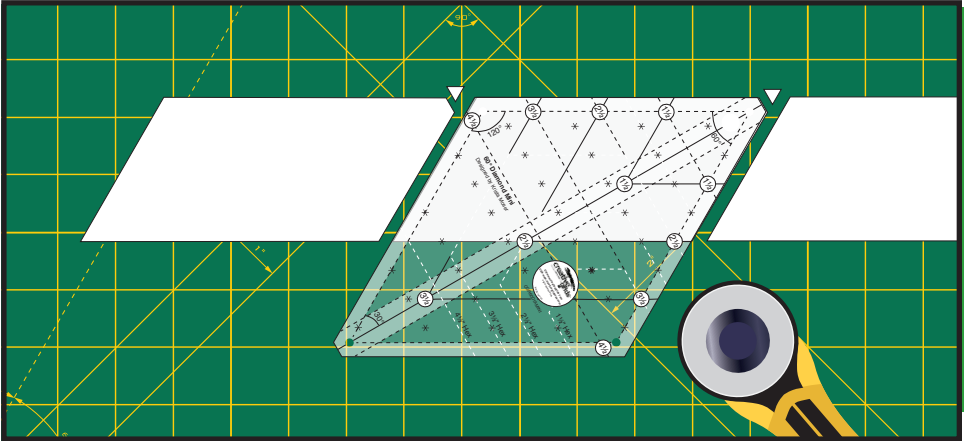
6. Make seven more cuts just like the first, this will give you four sets of mirror image  $1\frac{1}{2}$ " x  $2\frac{1}{2}$ " parallelograms.



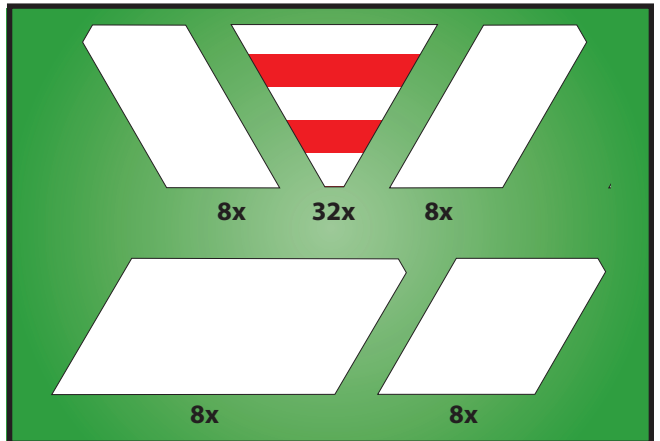
7. Next move the ruler down the strip until the  $2\frac{1}{2}$ " diamond line meets the cut edge. Cut along the edge of the ruler, using the flat tip to remove the fabric corner. Cut three more sets like this. You will need a total of eight  $2\frac{1}{2}$ " diamonds.



8. Open the remainder of the strips and cut through a single layer to cut eight  $4\frac{1}{2}$ " parallelograms. Move the ruler to cover the strip from edge to edge. Align the cut edge with the edge of the ruler, and cut along the opposite edge to get a  $4\frac{1}{2}$ " parallelogram.

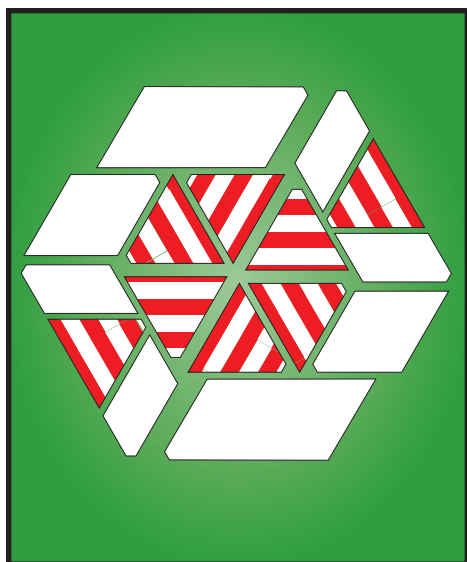


9. Make eight cuts like this.

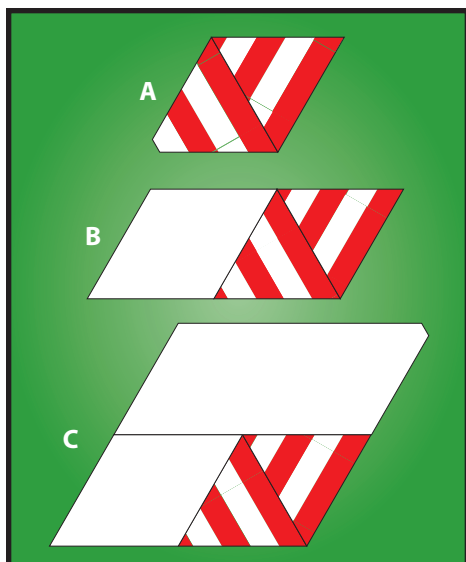


You should have the following quantities of each piece.

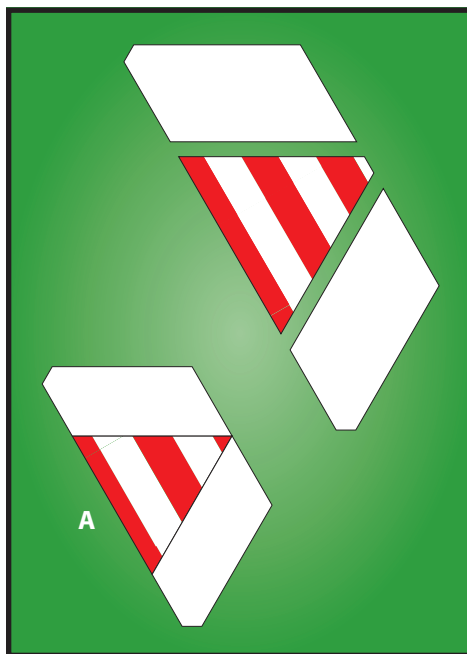
6



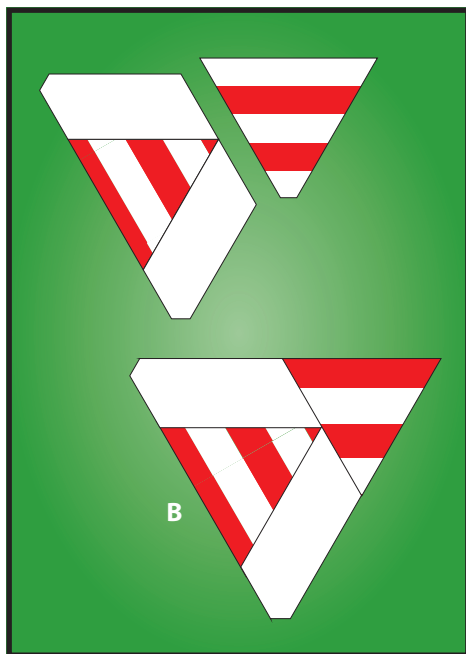
**10.** Arrange all the pinwheel block pieces as shown. Pay close attention to the direction you place your red and white striped triangles. You want these to look like they are spiraling out.

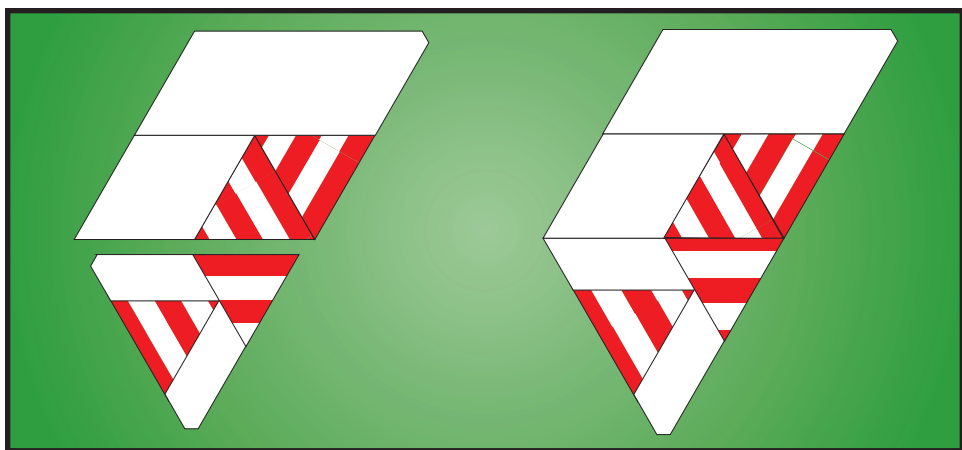


**11.** Sew two red and white striped triangles together (**A**). Press that seam open, then sew the  $2\frac{1}{2}$ " diamond to them (**B**). Press that seam open before adding the  $4\frac{1}{2}$ " parallelogram (**C**).

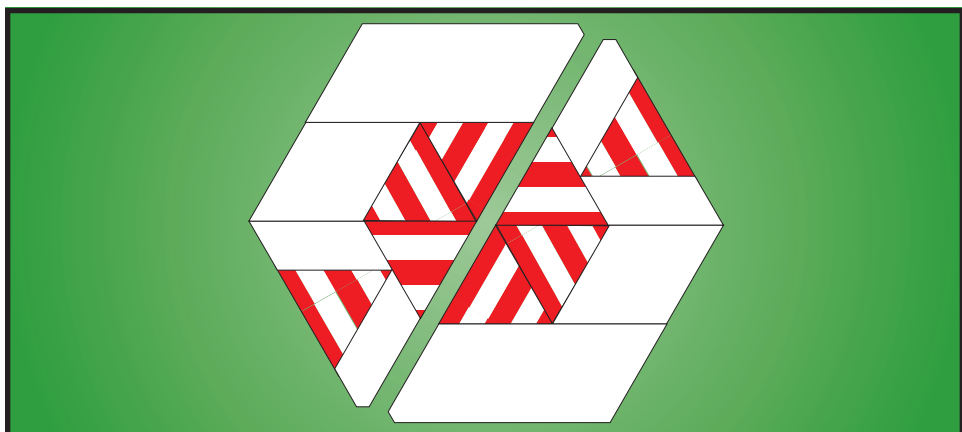


**12.** Sew one  $1\frac{1}{2}$ " x  $2\frac{1}{2}$ " parallelogram to each side of a  $2\frac{1}{2}$ " triangle. Press the seams open between each piece as you go (**A**). Sew one more red and white striped triangle to this unit (**B**).

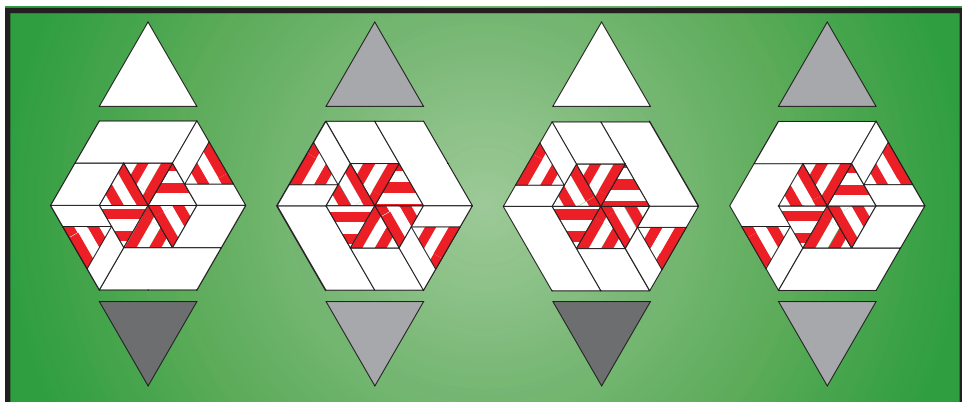




**13.** Sew the two larger units together to make one-half of the pinwheel block. Repeat steps 11-12 for the other half of the block.



**14.** Sew the two halves of the block together with a seam down the middle. Press this seam open.

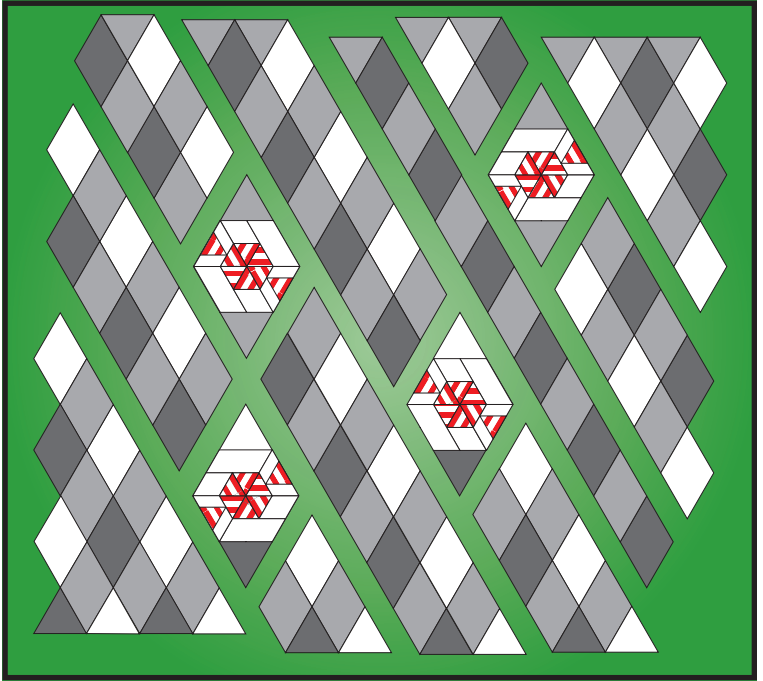


**15.** Place the pinwheel blocks into the hexagon openings in the background layout. Sew the triangle "end caps" to the top and bottom of each pinwheel block. Press those seams open.

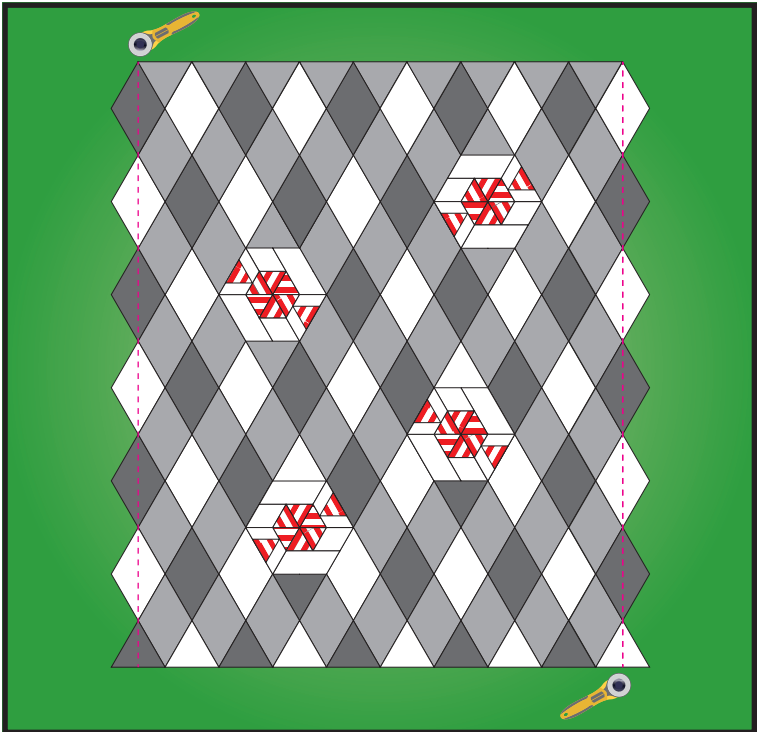


## ASSEMBLY

**16.** Build rows of background blocks as shown, pressing each seam open. Then join those rows to either side of the pinwheel units.

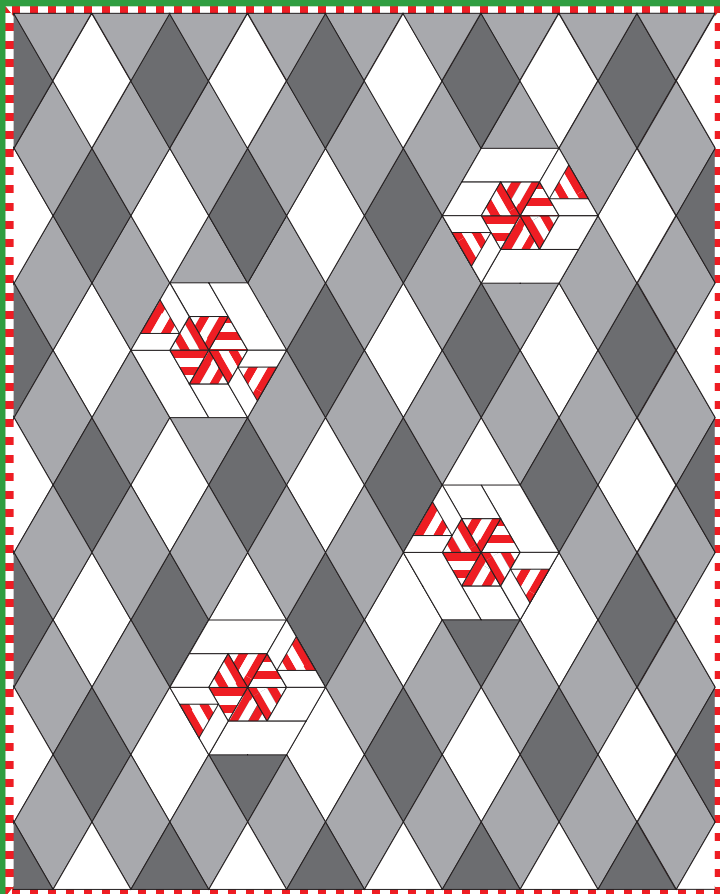


**17.** Join all rows together and press the seams open. Trim both the right and left edges off straight leaving a  $\frac{1}{4}$ " margin beyond the points at the outside edges.



# Peppermint Candy

## LAP QUILT

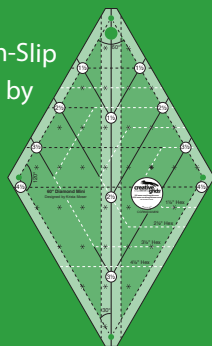


### FABRIC REQUIREMENTS

- $\frac{7}{8}$  yd white fabric
- $\frac{2}{3}$  yd dark gray fabric
- $1\frac{1}{8}$  yd light gray fabric
- $\frac{1}{2}$  yd red and white stripe for blocks and binding
- $2\frac{3}{4}$  yds for backing

### TOOLS

Creative Grids Non-Slip  
60° Diamond Mini by  
**Krista Moser**



PEPPERMINT CANDY LAP QUILT

©2023 The Quilted Life

kristamoser.com



krista\_moser #peppermintcandyapquilt